



ENGINE PARTS CATALOGUE

FIRST EDITION

TDR300



May 2019

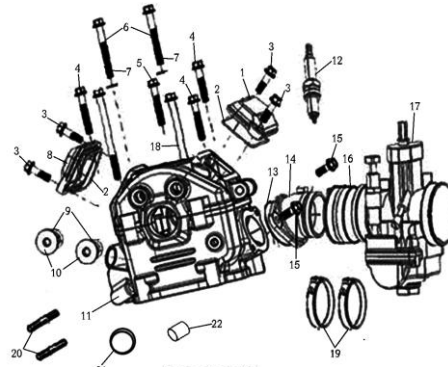
TIANDA FACTORY RACING TEAM

FOSHAN NANHAI ZHONGMO SCIENCE & TECHNOLOGY CO., LTD

Index	
GROUP. NO	GROUP NAME
Group 1	Cylinder Head Assembly
Group 2	Cylinder Assembly
Group 3	Valve Mechanism
Group 4	Crankcase Cover
Group 5	Clutch Assembly
Group 6	Oil Pump
Group 7	Crankcase
Group 8	Crankshaft Connection-rod Assembly and Piston
Group 9	Transmission Main, Counter Shaft
Group 10	Gearshift Mechanism
Group 11	Magneto Assembly
Group 12	Electric Starting Assembly

Group 1 - Cylinder Head Assembly

图 - 汽缸头部件



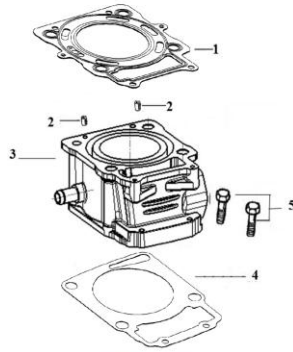
汽缸头部件

CYLINDER HEAD ASSY

NO	PART.NO	ENGLISH NAME	CHINESE NAME	QTY
1	11230-ME30-00086	COVER, VALVE CHAMBER	NC250进气门室盖(8806)	1
2	90104-ME30-0000	RING	NC250气门室盖异形圈	2
3	B16674A006002070X	BOLT M6×20	GB16674小盘螺栓M6×20(兰白特)	4
4	B16674A006003070X	BOLT M6×30	GB16674小盘螺栓M6×30(兰白特)	3
5	B16674A006003570X	BOLT M6×35	GB16674小盘螺栓M6×35(兰白特)	1
6	B057890006006570X	BOLT M6×65	GB5789螺栓M6×65(兰白特)	2
7	93301-90622013000	WASHER 6.2×2×13	平垫圈φ6.2×2×φ13	2
8	11230-ME30-010086	COVER, VALVE CHAMBER	NC250排气门室盖(8806)	1
9	90101-30118000260	O-RING 11.8×2.6	O型圈φ11.8×2.6(氟橡胶)	2
10	15415-ME30-0000	BOLT M14×1	NC250摇臂轴定位螺栓M14×1	2
11	1122B-NI59-010086	CYLINDER HEAD ASSY	CBS300-2#汽缸头组合[(M8)小吊耳 8806]M8/58	1
12	81300-BA81-0200	SPARK PLUG	HIPER50火花塞(RG6YC)	1
13	90101-30380000300	O-RING 38×3	O型圈φ38×3(氟橡胶)	1
14	15800-ME30-0000	INLET PIPE	NC250进气管(JQ-6T)	1
15	B16674A006001670X	BOLT M6×16	GB16674小盘螺栓M6×16(兰白特)	2
16	15838-ME30-0000	CONNECTING PIPE	NC250进气管连接管	1
17	17100-ME30-0000	CARBURETOR	TDR300 NIBBI PWK34 化油器	1
18	B16674A006010570X	BOLT M6×105	GB16674小盘螺栓M6×105(兰白特)	2
19	1583B-PE03-0000	CLAMP INLET PIPE	LY350进气管卡箍组件	2
20	91138-MA21-00000X	BOLT M8×45	CM250缸头排气口双头螺栓M8×45(兰白特)	2
21	11264-ME30-0000	BUSH	NC250缸头密封胶套	1
22	18088-I008-0000	DUST BUSH	CG125D空气泵进气口防尘胶套	1

Group 2 - Cylinder Assembly

图二 气缸体部件

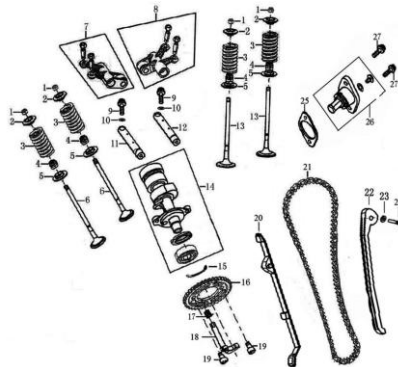


气缸体部件
CYLINDER ASSEMBLY

NO	PART.NO	ENGLISH NAME	CHINESE NAME	QTY
1	9022B-NI59-0000	GASKET ASSY,CYLINDER HEAD	CBS300气缸头密封垫组合(金属)	1
2	91522-06001200000	PIN 13×14	塞柱销φ6×12	2
3	1110B-NI59-000086	CYLINDER BLOCK ASSEMBLY	CBS300气缸体部件(缸标300 8806)	1
4	90205-NI59-0000	GASKET,CYLINDER BLOCK	CBS300气缸体密封垫	1
5	B057890006002870X	BOLT M6×28	GB5789螺栓M6×28(兰白特)	2

Group 3 - Valve Mechanism

图三 配气机构

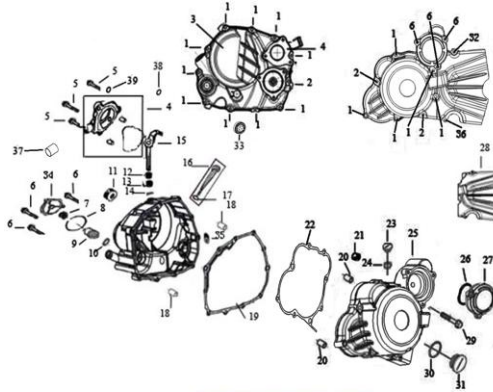


配气机构
VALVE MECHANISM

NO	PART.NO	ENGLISH NAME	CHINESE NAME	QTY
1	15707-BA81-0000	VALVE LOCKER	HIPER50气门锁夹	8
2	15705-ME30-0000	SPRING SEAT	NC250气门弹簧座(上)	4
3	15703-ME30-0000	SPRING	NC250气门弹簧	4
4	1572B-BA81-0000	SEAL, VALVE STEM	HIPER50指油罩组合	4
5	15706-ME30-0000	SPRING SEAT	NC250气门弹簧座(下)	4
6	15702-ME30-0000	EXHAUST VALVE	NC250排气门	2
7	1540A-ME30-0100	ROCKER ARM ASSEMBLY, VALVE	NC250气门摇臂组合(排气)	1
8	1540A-ME30-0000	ROCKER ARM ASSEMBLY, VALVE	NC250气门摇臂组合(进气)	1
9	B16674A006002270X	BOLT M6×22	GB16674小盘螺栓M6×22(兰白特)	2
10	93301-80621010000	WASHER 6.2×1×10	平垫圈φ6.2×1×p10	2
11	15402-MH06-0100	ROCKER SHAFT	NC250电喷气门摇臂轴(排气)	1
12	15402-MH06-0000	ROCKER SHAFT	NC250电喷气门摇臂轴(进气)	1
13	15701-ME30-0000	INTAKE VALVE	NC250进气门	2
14	15100-NI59-0000	GAMP SHAFT COMP	CBS300凸轮轴部件	1
15	15108-ME30-0000	CAM SHAFT LIMIT	NC250凸轮轴挡板	1
16	15301-MZ30-0000	TIMING DRIVEN SPROCKET	NC250副档正时从动链轮	1
17	15164-ME30-0000	SPING	NC250减压阀复位扭簧	1
18	1516A-MG23-0000	CENTRIFUGAL MASS ASS.	CB250水冷四气门凸轮轴减压阀用块组合	1
19	B000700106001070X	BOLT M6×10	GB70.1螺钉M6×10(兰白特)	2
20	1553A-NI59-0000	GUIDE PLATE CHAIN	CBS300链条导板组合	1
21	1532B-ME05-0100	SPROKET CHAIN	CB250D-G正时链条组合(7×104 齿形链)DID	1
22	1552A-LA74-0000	TENSION PLATE ASSY	CB200-C链条张紧板组合	1
23	93301-70801514000	WASHER φ8×1.5×p14	平垫圈φ8×1.5×p14	1
24	91109-I006-00000X	BOLT	CB125脚踏张紧条芯轴螺栓(兰白特)	1
25	90211-I049-0000	GASKET	CB125D张紧器密封垫	1
26	1554B-I049-000086	PLUG OF TIGHTENER	CB125D张紧器组合(8806)带螺栓和密封圈	1
27	B000700106001670X	BOLT M6×16	GB70.1螺钉M6×16(兰白特)	2

Group 4 - Crankcase Cover

图四 曲轴箱盖

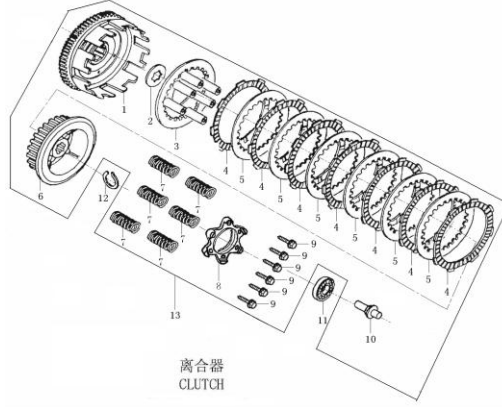


曲轴箱盖 CRANKCASE COVER

NO	PART.NO	ENGLISH NAME	CHINESE NAME	QTY
1	B16674A006004070X	BOLT M6×40	GB16674小盘螺栓M6×40(兰白锌)	15
2	B16674A006005070X	BOLT M6×50	GB16674小盘螺栓M6×50(兰白锌)	3
3	12421-MG23-000085	COVER COMP. RIGHT CRANKCASE	CB250水冷四气门右曲轴箱盖(白板(嘴风款)8805)电感式	1
4	19400-MG23-0000	WATER PUMP	CB250水冷四气门水泵部件	1
5	B16674A006004570X	BOLT M6×45	GB16674小盘螺栓M6×45(兰白锌)	3
6	B16674A006002070X	BOLT M6×20	GB16674小盘螺栓M6×20(兰白锌)	6
7	12403-I038-0000	SPRING, OIL FINE FILTER	ZS96精密滤器弹簧	1
8	90101-30520000230	O-RING 52×2.3	O型圈φ52×2.3(氟橡胶)	1
9	14210-I038-0000	OIL FILTER	ZS96机油滤器部件	1
10	90101-10132000180	O-RING 13.2×1.8	O型圈φ13.2×1.8(丁腈胶)	1
11	90304-I006-0000	OIL SEAL 16×28×7	CB125脚踏启动油封16×28×7(丁腈胶)	1
12	90306-I006-0000	OIL SEAL 12×22×5	CB125离合器操纵纵臂油封12×22×5	1
13	22427-MG23-0000	CLUTCH CONTROLLING ARM SPRING	CB250水冷四气门离合器操纵纵臂弹簧	1
14	91523-I006-00000E	PIN 3×12	CB125脚踏纵臂卡销(发黑)	1
15	2242A-I006-10000X	CONTROLLING ARM ASSEMBLY, CLUTCH	CB125脚踏-6#离合器操纵纵臂组合(油封密封 兰白锌)	1
16	14301-I006-0000	OIL RULER ASSY	CB125脚踏机油尺组合(白板 本色)整体式	1
17	90101-10180000300	O-RING 18×3	O型圈φ18×3(丁腈胶)	1
18	91521-08001400063	PIN 8×14×6.3	定位销φ8×14×6.3	2
19	90206-MG23-0000	GASKET , R.CRANKCASE COVER	CB250水冷四气门右曲轴箱盖密封垫	1
20	91521-10001400000	PIN 10×14	定位销φ10×14	2
21	92102-I008-0001	BEARING	CG125D机油轴承(铁基)	1
22	90204-NI59-0000	GASKET , L.CRANKCASE COVER	CBS300左曲轴箱前盖密封垫	1
23	12303-G011-000085	CAP. SMALL VIEW HOLE	C100小视孔盖(8805)	1
24	90101-10132000285	O-RING 13.2×2.65	O型圈φ13.2×2.65(丁腈胶)	1
25	12301-NI59-000085	FRONT PART , L.CRANKCASE COVER	CBS300左曲轴箱前盖(白板(普通款)8805)	1
26	90101-10620000300	O-RING 62×3	O型圈φ62×3(丁腈胶)	1
27	12308-I008-400085	COVER,REDUCTION GEAR	CG125D双联齿轮盖(白板(嘴风款)8805)	1
28	12302-MG23-000085	BACK PART , L.CRANKCASE COVER	CB250水冷四气门左曲轴箱后盖(CB250水冷四气门-嘴风-1#)8805	1
29	B16674A006002570X	BOLT M6×25	GB16674小盘螺栓M6×25(兰白锌)	1
30	90101-10274000265	O-RING 27.4×2.65	O型圈φ27.4×2.65(丁腈胶)	1
31	12304-G011-000085	CAP. BIG VIEW HOLE	C100大视孔盖(8805)	1
32	B16674A006002870X	BOLT M6×28	GB16674小盘螺栓M6×28(兰白锌)	1
33	12426-I008-0000	OIL LELVE SIGHT WINDOW	CG125D机油观察窗	1
34	12402-I038-000085	CAP. OIL FILTER	ZS96机油滤器盖(8805)	1
35	90302-I093-0000	OIL-SEAL 12×21×7	GR125曲轴油封12×21×7(氟橡胶)	1
36	B16674A006003270X	BOLT M6×32	GB16674小盘螺栓M6×32(兰白锌)	1
37	18088-I008-0000	DUST BUSH	CG125D空气泵进气口防尘胶套	1
38	93301-90621010000	WASHER	平垫圈φ6.2×1×φ10	1
39	90101-10070000200	O-RING 7×2	O型圈φ7×2(丁腈胶)	1

Group 5 - Clutch Assembly

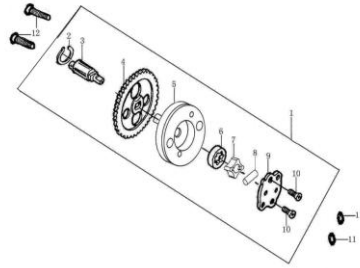
图五 离合器总成



NO	PART.NO	ENGLISH NAME	CHINESE NAME	QTY
1	22150-ME05-0000	OUT CASE ASSEMBLY,CLUTCH	CB250D-G离合器外罩组合	1
2	22002-I006-0000	WASHER	CB125脚踏离合器碟垫圈	1
3	22122-LA73-0000	PRESSURE PLATE, CLUTCH	CG200-A水冷离合器压盘	1
4	22214-LA73-0200	DRIVE FRICTION DISK	CG200-A水冷离合器主动摩擦片(富士摩擦片)	7
5	22215-J034-0000	OUTER FRICTION DISK A	CG150D离合器从动摩擦片(六柱)	6
6	22105-LA73-0100	CENTER SLEEVE, CLUTCH	CG200-A水冷-3#离合器中心套	1
7	22142-MA96-0000	SPRING, CLUTCH	CB250离合器弹簧	6
8	22121-LA12-0000	END COVER,CLUTCH	CG200D-B离合器端盖	1
9	91129-J034-00000X	BOLT M5*20	CG150D离合器法兰盘螺栓M5*20(兰白特)	6
10	22403-ME16-0000	PUSHING ROD, CLUTCH	CB250水冷离合器推杆	1
11	92102-00000016003	BEARING (16003)	轴承(16003)	1
12	91403-I008-0000	ELASTIC CHECK RING	CG125D离合器挡圈20	1
13	22000-ME05-0001	CLUTCH ASSY	CB250D-G离合器总成(CB250D-G 68齿6柱7片)富士摩擦片 不带轴承	1

Group 6 - Oil Pump

图六 机油泵部件

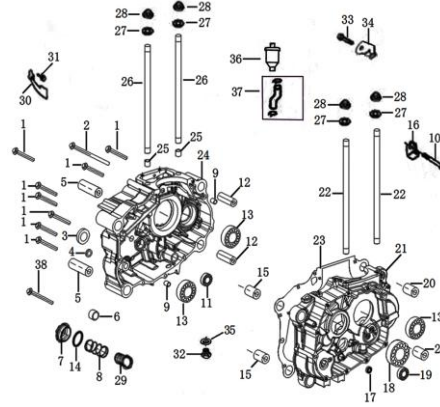


机油泵部件 OIL PUMP

NO	PART.NO	ENGLISH NAME	CHINESE NAME	QTY
1	14100-MG23-0000	OIL PUMP ASSY	CB250水冷四气门机油泵部件	1
2	B0089600060000000	CIRCLIP 6	GB896挡圈6	1
3	14107-LE09-0000	SHAFT,OIL PUMP	CG200D飓风机油泵油泵轴	1
4	14108-MG23-0000	OIL PUMP GEAR ASS.	CB250水冷四气门机油泵齿轮组合	1
5	14110-LE09-0000	OIL PUMP BODY	CG200D飓风机油泵体	1
6	14112-LE09-0000	OUTER ROTOR, OIL PUMP	CG200D飓风机油泵外转子	1
7	14111-LE09-0000	INNER ROTOR, OIL PUMP	CG200D飓风机油泵内转子	1
8	B0011902025100000	PIN 2.5×10	GB119.2圆柱销φ2.5×10	1
9	14108-LE09-0000	OIL PUMP COVER	CG200D飓风机油泵盖板	1
10	B008180004001020X	SCREW M4×10	GB818螺钉M4×10(兰白锌)	2
11	90101-10094000240	O-RING 9.4×2.4	O型圈φ9.4×2.4(丁腈胶)	2
12	B008190106003020X	SCREW M6×30	GB819.1螺钉M6×30(兰白锌)	2

Group 7 - Crankcase

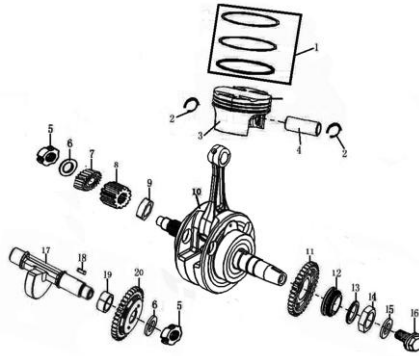
图七 曲轴箱



NO	PART.NO	ENGLISH NAME	CHINESE NAME	QTY
1	B16674A006035070X	BOLT M6×50	GB16674小盘螺栓M6×50(兰白锌)	8
2	B16674A006010070X	BOLT M6×100	GB16674小盘螺栓M6×100(兰白锌)	1
3	90303-I006-0000	OIL SEAL 20×34×7	CB125脚踏轴油封20×34×7(丁腈胶)	1
4	90301-I006-0000	OIL SEAL 14×28×7	CB125脚踏轴油封14×28×7(丁腈胶)	1
5	10009-MZ12-0100	ABSORBER SLEEVE	SB250海绵倒档左体后挂机减震套	2
6	92102-I008-0001	BEARING	CG125D含油轴承(铁基)	1
7	11230-I006-0000W	COVER, VALVE CHAMBER	CB125脚气门室盖(抛丸钝化)	1
8	14221-I006-0000	STRAINER,OIL FILTER	CB125脚机油过滤网弹簧	1
9	91521-10001400000	DOWEL PIN φ10×14	定位销φ10×14	2
10	B16674A006006570X	BOLT M6×65	GB16674小盘螺栓M6×65(兰白锌)	1
11	92102-0000TM6202Z	BEARING	轴承(TM6202Z)	1
12	10009-MZ12-0000	ABSORBER SLEEVE	SB250海绵倒档左体前挂机减震套	2
13	92102-00000TM6204	BEARING	轴承(TM6204)	2
14	90101-20350000300	O-RING 35×3	O型圈φ35×3(氟硅胶)	1
15	10009-LA73-0004	ABSORBER SLEEVE	CG200-A水冷右体后挂机减震套	2
16	22422-I006-00020X	HOLDER,CLUTCH CABLE	CB125脚-3#离合器钢索支架(兰白锌)	1
17	92102-000NK152712	BEARING	滚针轴承(NK15×27×12)	1
18	92102-0000006006	BEARING	轴承(6006)	1
19	92102-000HK212810	BEARING	滚针轴承(HK21×28×10)	1
20	10009-LA73-0002	ABSORBER SLEEVE	CG200-A水冷右体前挂机减震套	2
21	1222B-NI59-000085	RIGHT CRANKCASE BLOCK	CBS300右曲轴箱组合(8805)	1
22	91102-MG23-0000	CYLINDER STUD BOLT B	CB250水冷四气门气缸双头螺栓B(175mm)	2
23	90208-NI59-0000	GASKET,CRANKCASE	CBS300曲轴箱密封胶	1
24	1212B-NI59-000085	LEFT CRANKCASE BLOCK	CBS300左曲轴箱组合(8805)	1
25	91521-13001400000	DOWEL PIN φ13×14	定位销φ13×14	1
26	91101-MG23-0000	CYLINDER STUD BOLT A	CB250水冷四气门气缸双头螺栓A(179mm)	2
27	93301-5105202000N	WASHER φ10.5×2×φ20	平垫圈φ10.5×2×φ20(磷化)	4
28	91212-RE08-00000X	NUT	ZS500气缸头AB柱螺母M10×1.25(兰白锌)	4
29	1431B-I006-0000	STRAINER,OIL FILTER	CB125脚机油过滤网组合	1
30	12103-I008-0000	POSITION PLATE	CG125D挡线片	1
31	B16674A006001270X	BOLT M6×12	GB16674小盘螺栓M6×12(兰白锌)	1
32	91103-I008-00000X	GEARSHIFT SWITCH COMP	CG125D放油螺塞(兰白锌)	1
33	B057830006001620X	BOLT M6×16	GB5783螺栓M6×16(兰白锌)	1
34	2143B-NI59-0000	ASSEMBLY, CHAIN PROTECT PLATE	CBS300链条护板组合	1
35	93301-71212020000	WASHER φ12.1×2×φ20	平垫圈φ12.1×2×φ20	1
36	12162-MA95-0000	OIL AIR FILTER	CG250油气分离器(两通)	1
37	12130-MA95-0002	PIPE ASSY	CG250通气管组件(复合层材料 卡箍2个)	1
38	B16674A006007070X	BOLT M6×70	GB16674小盘螺栓M6×70(兰白锌)	1

Group 8 - Crankshaft Connection-rod Assembly and Piston

图八 曲轴连杆部件/活塞

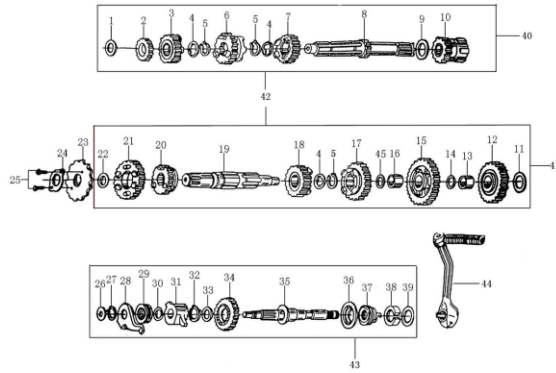


曲轴连杆部件/活塞
CRANKSHAFT CONNECTING-ROD ASSY/PISTON

NO	PART.NO	ENGLISH NAME	CHINESE NAME	QTY
1	1310A-NI59-0000	PISTON RING COMP	CBS300活塞环总成	1
2	91401-ME30-0000	CHECK RING, PISTON PIN	NC250活塞销挡圈	2
3	13101-NI59-0000	PISTON	CBS300活塞(顶部微弧氧化)	1
4	13102-ME30-0000	PIN PISTON	NC250活塞销	1
5	91203-IA20-0000	NUT	SB125机油滤清器螺母	2
6	22004-I006-0000	WASHER 16.5*2*27	CB125脚离合器碟形垫圈16.5*2*27	2
7	14101-MG23-0000	GEAR	CB250水冷四气门机油泵驱动齿	1
8	23101-ME05-0000	GEAR	CB250D-G主动齿轮(22齿)	1
9	21319-LE26-0000	WASHER φ22*9.5*φ34	CBB200盘形齿垫圈φ22*9.5*φ34	1
10	1320B-NI59-0002	CRANKSHAFT CONNECTING-ROD ASSY	CBS300曲轴连杆部件(立多禄KU324120 舒香曲柄销)	1
11	13302-NI59-0000	GEAR	CBS300平衡主动齿轮	1
12	13222-NI59-0000	GEAR	CBS300正时主动链轮	1
13	93301-42422532000	WASHER φ24.2*2.5*φ32	平垫圈φ24.2*2.5*φ32	1
14	91220-ME30-0000	NUT	NC250平衡轴锁紧螺母M24*1	1
15	93301-11052524000	WASHER φ10.5*2.5*φ24	平垫圈φ10.5*2.5*φ24	1
16	91106-I008-0000	BOLT M10*36	CG125D磁电机安装螺栓M10*36	1
17	13301-NI59-0000	BALANCE SHAFT	CBS300平衡轴	1
18	91607-ME30-0000	KEY	NC250平衡轴平键4*4*13	1
19	93301-A2005025000	WASHER φ20*5*φ25	平垫圈φ20*5*φ25	1
20	1331B-ME30-0000	GEAR	NC250平衡从动齿轮组合	1

Group 9 - Transmission Main, Counter Shaft

图九 主副轴组合

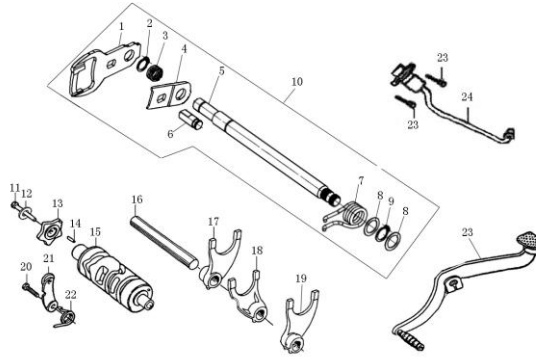


传动机构
TRANSMISSION MECHANISM

NO	PART.NO	ENGLISH NAME	CHINESE NAME	QTY
1	93301-61521025000	WASHER	平垫圈φ15.2×1×q25(工具钢)	1
2	23242-NI52-0002	GEAR	悍威300水冷副轴2档齿轮	1
3	23242-NI52-0005	GEAR	悍威300水冷副轴5档齿轮	1
4	23223-I006-0000	WASHER	CB125脚踏齿轮隔圈17.3(20)×1.6×26	2
5	91402-D002-0100	CIRCLIP	70启动轴挡圈φ18.5×1.2×q22.1	2
6	23242-NI52-0004	GEAR	悍威300水冷副轴4档齿轮	1
7	23242-NI52-0003	GEAR	悍威300水冷副轴3档齿轮	1
8	23221-NI52-0000	TRANSMISSION MAIN SHAFT	悍威300水冷主軸芯轴	1
9	93301-62020527000	WASHER20.2×0.5×27	平垫圈φ20.2×0.5×q27	1
10	23231-I008-0200	GEAR, KICK STARTER	CG125D主軸自动齿组(螺旋形油踏)	1
11	93301-61521030000	WASHER	平垫圈φ15.2×1×q30	1
12	23248-I008-0000	GEAR	CG125D副轴启动过桥齿轮	1
13	23203-I008-0003	BUSH	CG125D副轴启动齿轮衬套	1
14	93301-51651024000	WASHER	平垫圈φ16.5×1×q24	1
15	23242-NI52-0001	GEAR	悍威300水冷副轴1档齿轮	1
16	23203-NI52-0001	BUSH	悍威300水冷副轴1档齿轮衬套	1
17	23242-NI52-0003	GEAR	悍威300水冷副轴3档齿轮	1
18	23242-NI52-0004	GEAR	悍威300水冷副轴4档齿轮	1
19	23241-NI52-0100	TRANSMISSION COUNTER SHAFT	悍威300水冷-2#副轴芯轴	1
20	23242-NI52-0005	GEAR	悍威300水冷副轴5档齿轮	1
21	23242-NI52-0002	GEAR	悍威300水冷副轴2档齿轮	1
22	93301-52001027000	GEAR	平垫圈φ20×1×q27	1
23	23401-I008-0008	DRIVE SPROCKET	CG125D主动链轮(428.15)	1
24	23402-I006-0000	FIXING PLATE,DRIVE SPROCKET	CB125脚踏主动链轮固定板	1
25	B057830006001020X	BOLT M6×10	GB5783螺栓M6×10(兰白锌)	2
26	93301-51211018000	WASHER 12.1×1×18	平垫圈φ12.1×1×q18	1
27	B0089401160000000	CIRCLIP 16	GB894.1挡圈16	1
28	2112B-NI59-0000	GUIDE PLATE ASS.	CBS300棘轮导板组合	1
29	21119-I008-0000	SPRING, KICK STARTING RATCHET WHEEL	CG125D启动棘轮弹簧	1
30	93301-51611024000	WASHER 16.2×1×24	平垫圈φ16.1×1×q24(弹簧钢)	1
31	21118-I008-0000	RATCHET	CG125D启动棘轮	1
32	91402-I008-0000	CIRCLI	CG125D启动轴弹性挡圈φ18.5×1.2×q22.4	1
33	93301-62000527000	WASHER 20×0.5×27	平垫圈φ20×0.5×q27(工具钢)	1
34	21117-I008-0000	GEAR	CG125D启动齿轮	1
35	21107-I008-0001	STARTING SHAFT	CG125D启动轴芯轴(油封光杆L.60)兰白锌	1
36	21104-I008-0000	SEAT, SPRING, KICK STARTING SHAFT	CG125D启动轴弹簧座	1
37	21106-I008-0000	RETURN SPRING, KICK STARTING SHAFT	CG125D启动轴复位弹簧	1
38	21111-I008-0000	COLLAPSIBLE	CG125D启动轴轴环	1
39	93301-51611030000	CIRCLI 16.1×1×30	平垫圈φ16.1×1×q30	1
40	23220-NI52-0000	MAIN SHAFT, TRANSMISSION	悍威300水冷主軸组合	1
41	23240-NI52-0100	COUTERSHAFT TRANSMISSION	悍威300水冷-2#副轴组合(156)	1
42	23220-NI52-0100	TRANSMISSION MAIN , COUNTER SHAFT	悍威300水冷-2#主副轴组合(悍威300水冷-2#)156	1
43	21100-NI59-0000	KICK STARTING SHAFT ASSEMBLY	CBS300启动轴总成(油封光杆L.60 兰白锌)	1
44	21200-I008-0009	START-UP BAR COMP	CG125D启动杆部件(QD-9)白铬	1
45	93301-51650524000	WASHER	平垫圈φ16.5×0.5×q24	1

Group 10 - Gearshift Mechanism

图十 变速机构

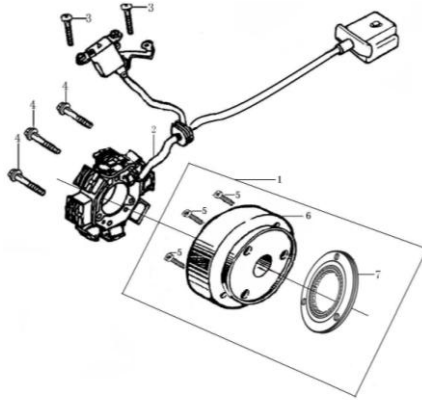


变速机构 GEARSHIFT MECHANISM

NO	PART.NO	ENGLISH NAME	CHINESE NAME	QTY
1	24319-NI52-0001	GEARSHIFT PLATE	悍威300水冷换挡板(五档国际档)	1
2	8008940112000000	CIRCLIP 12	GB894.1挡圈12	1
3	24303-I006-0000	SPRING, GEARSHIFT PLATE	CB125换挡板弹簧	1
4	24327-NI52-0001	SEAT	悍威300水冷换挡拨销座(国际档)	1
5	24316-NI52-0000	SHAFT	悍威300水冷换挡轴芯轴(210mm)	1
6	24326-I006-0000	PIN	CB125换挡拨销	1
7	24302-I008-0000	RETURN SPRING	CG125D换挡回位弹簧	1
8	93301-51400520000	WASHER 14x0.5x20	平垫圈φ14×0.5×φ20	2
9	8008940114000000	CIRCLIP 14	GB894.1挡圈14	1
10	24300-NI52-00010C	GEARSHIFT LEVER COMP	悍威300水冷换挡臂部件(五国 彩铸)	1
11	91126-I008-00000X	BOLT	CG125D五星板紧固螺栓(兰白铸)	1
12	8000930006000000B	WASHERφ6	GB93弹垫φ6(白铸)	1
13	24202-I006-0500	STOPPING PLATE	CB125脚五星板(五档国际档)	1
14	B0011901040100000	PINφ4×10	GB119.1圆柱销φ4×10	1
15	24213-NI52-0001	GEARSHIFT DRUM	悍威300水冷变速鼓(五档国际档 含动触头)	1
16	24107-I006-0000	SHAFT , GEARSHIFT FORK	CB125脚踏叉轴	1
17	24104-I006-0000	RIGHT FORK, COUNTERSHAFT	CB125脚踏副轴右拨叉	1
18	24106-NI52-0000	CENTER FORK, MAINSHAFT	悍威300水冷主轴拨叉	1
19	24105-I006-0000	LEFT FORK, COUNTERSHAFT	CB125脚踏副轴左拨叉	1
20	B057830006002020X	BOLT M6×20	GB5783螺栓M6×20(兰白铸)	1
21	2434A-I008-0000	LOCATING PLATE ASSY	CG125D定位板组合(短压板四/五档国际档及四档非履)	1
22	24304-I006-0000	SPRING ,LOCATING PLATE	CB125脚定位板弹簧	1
23	9115B-J202-0000	BOLT	摩擦保护CG150D倒档档显螺钉组合	2
24	88031-I008-300045	GEARSHIFT SWITCH COMP	CG125D-3#档显线束(双支耳 五档国际 L:450)接口D01	1

Group 11- Magneto Assembly

图十一 磁电机总成

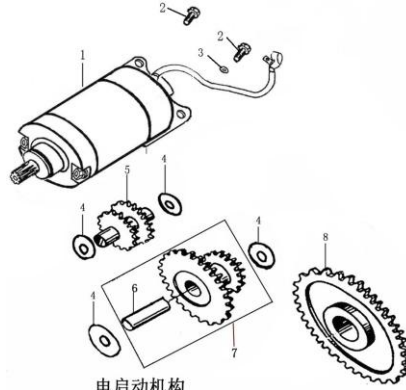


磁电机总成 MAGNETO COMP

NO	PART.NO	ENGLISH NAME	CHINESE NAME	QTY
1	82130-I008-0104	ROTOR ASSY,MAGNETO	CG125D磁电机转子组合(12V8极 带模块式超越离合器)	1
2	82120-I008-020043	STATOR ASSY,MAGNETO	CG125D磁电机定子组合[(12V8极全波交流大盒) L1:430]接口21	1
3	B057830005001620X	BOLT M5×16	GB5783螺栓M5×16(兰白锌)	2
4	B057830005002520X	BOLT M5×25	GB5783螺栓M5×25(兰白锌)	3
5	91197-I008-00000C	BOLT M8×18	CG125D超越离合器紧固螺钉M8×18(彩锌)	3
6	82130-I008-0101	ROTOR ASSY,MAGNETO	CG125D磁电机转子组合(12V8极 不带超越离合器)	1
7	21300-LA73-0000	ASSEMBLY, OVERRUNNING CLUTCH	CG200-A水冷超越离合器部件(模块式)	1

Group 12 - Electric Starting Assembly

图十二 电启动机构



电启动机构
ELECTRIC STARTING MECHANISM

NO	PART.NO	ENGLISH NAME	CHINESE NAME	QTY
1	82200-MG42-010051	STARTING MOTOR ASSY	CB250-G水冷启动电机部件(8805 单线圆形510)	1
2	8057890006002870X	BOLT M6×28	GB5789螺栓M6×28(兰白锌)	2
3	82202-ME05-0000	WASHER	CB250D-G电机安装座圈	1
4	93301-51050518000	WASHER φ10.5×0.5×φ18	平垫圈φ10.5×0.5×φ18	4
5	21401-ME13-0000	GEAR, REDUCTION	SB250海嘯双联齿轮(二)	1
6	21402-I008-0100	SHAFT, REDUCTION	CG125D-2#双联齿轮轴	1
7	2140A-ME13-0100	GEAR, REDUCTION	SB250海嘯-2#双联齿轮组合(一)	2
8	2142A-MG23-0000	PLATE GEAR ASSY	CB250水冷四气门启动大齿轮组合	2